



HGS (INDIA) LIMITED

Panel mount 18 pin Female Power Connector

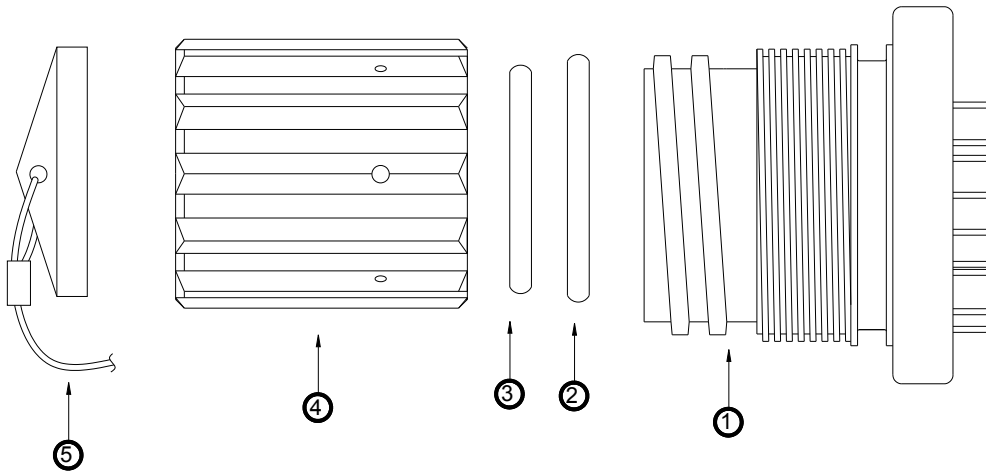


Plot No- 158, Sector- 4, IMT Manesar, Gurgaon, Haryana- 122050 (INDIA)
Tel: +91(0124) 4681800, Fax: +91(0124) 4681845
email:sales@hgsindia.com

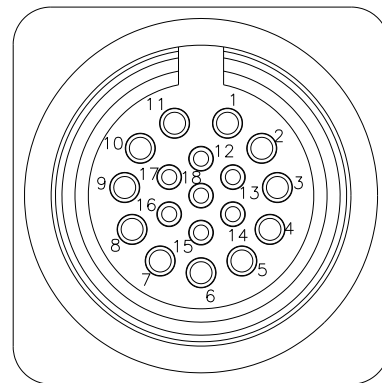


HGS (INDIA) LIMITED

SCHEMATIC



SR. NO.	DESCRIPTION	QTY.
1	CONN, PANEL MOUNT 18 SOCKET	1
2	O' RING	1
3	O' RING	1
4	COUPLING RING	1
5	DUST CAP	1



FACE VIEW

Panel mount 18 pin Female Power Connector

Plot No- 158, Sector- 4, IMT Manesar, Gurgaon, Haryana- 122050 (INDIA)
Tel: +91(0124) 4681800, Fax: +91(0124) 4681845
email:sales@hgsindia.com



HGS (INDIA) LIMITED

SPECIFICATIONS

Panel mount 18 pin Female Power Connector

- 18 Pin female connector (single key) for Inova's XLUs (for power/battery port)
- Female connector with thread assures mating with its counterpart's coupling ring
- Gold plated contacts to assure good electrical connection
- Impact resistant material
- Screw fit mating
- Fitted with protection cap to avoid damage to its mating threads
- Operating Temperature Range: -20°C to +70°C
- Pressure Rating: Up to 3 bar

Plot No- 158, Sector- 4, IMT Manesar, Gurgaon, Haryana- 122050 (INDIA)
Tel: +91(0124) 4681800, Fax: +91(0124) 4681845
email:sales@hgsindia.com