



# HGS (INDIA) LIMITED

Panel Mount 8 pin female dynacon connector



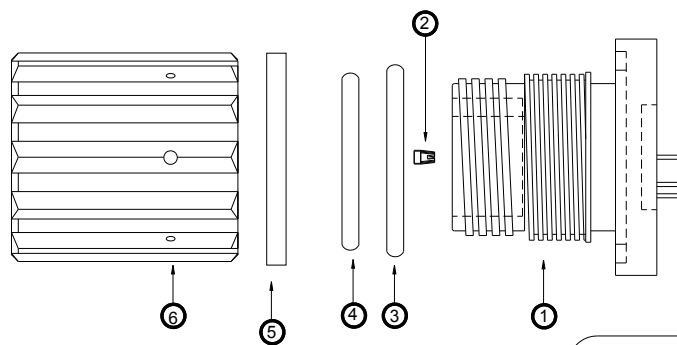
Plot No- 158, Sector- 4, IMT Manesar, Gurgaon, Haryana- 122050 (INDIA)  
Tel: +91(0124) 4681800, Fax: +91(0124) 4681845  
email:sales@hgsindia.com



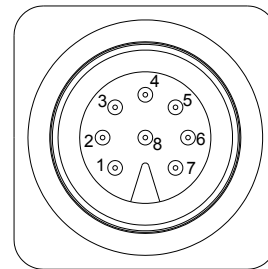
# HGS (INDIA) LIMITED

## SCHEMATIC

### CONNECTOR, PANEL MOUNT, 8 PIN FEMALE (DYNACON)



SR. NO.	DESCRIPTION	QTY.
1	CONN, PANEL MOUNT 8 PIN FEMALE	1
2	MILL-MAX#13	8
3	O' RING	1
4	O' RING	1
5	WASHER	1
6	PROTECTIVE CUP	1



FACE VIEW

## Panel Mount 8 pin female dynacon connector

Plot No- 158, Sector- 4, IMT Manesar, Gurgaon, Haryana- 122050 (INDIA)  
Tel: +91(0124) 4681800, Fax: +91(0124) 4681845  
email:sales@hgsindia.com



# HGS (INDIA) LIMITED

## SPECIFICATION

### Panel Mount 8 pin female dynacon connector

- 8 Pin female connector for Inova's DBUs
- Female connector with thread assures mating with its counterpart's coupling ring
- Gold plated contacts to assure good electrical connection
- Impact resistant material
- Screw fit mating
- Fitted with protection cap to avoid damage to its mating threads
- Operating Temperature Range:  $-20^{\circ}\text{C}$  to  $+70^{\circ}\text{C}$
- Pressure Rating: Up to 3 bar

Plot No- 158, Sector- 4, IMT Manesar, Gurgaon, Haryana- 122050 (INDIA)  
Tel: +91(0124) 4681800, Fax: +91(0124) 4681845  
email:sales@hgsindia.com