



HGS (INDIA) LIMITED



CAT-5 Cable



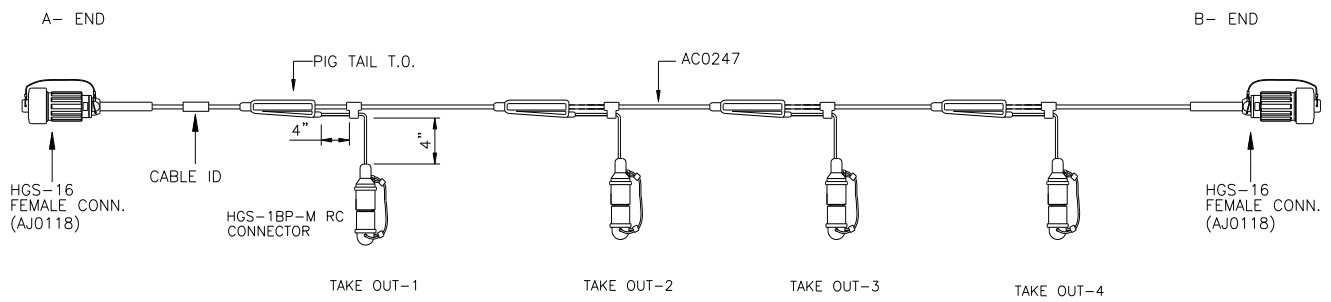
158, Sector-4, IMT Manesar, Gurugram-122050 Haryana INDIA
Tel: +91 (0124) 4681800, Fax: +91 (0124) 4681845
Email: sales@hgsindia.com



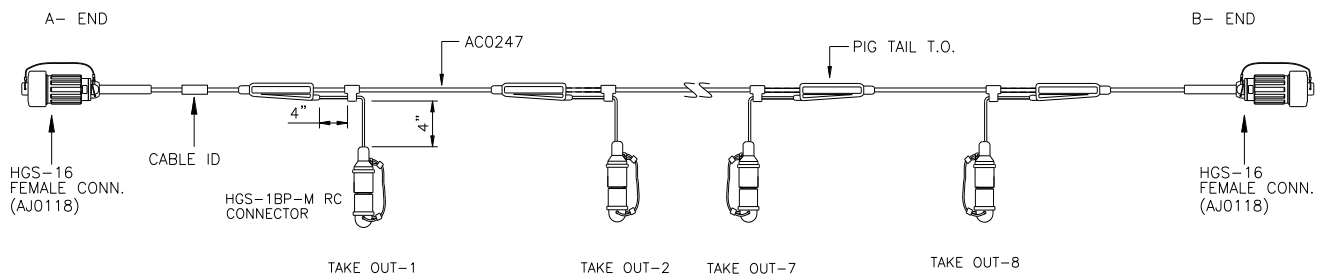
HGS (INDIA) LIMITED



SCHEMATIC CAT -5 Cable with 4 Take Out



SCHEMATIC CAT -5 Cable with 8 Take Out





HGS (INDIA) LIMITED



SPECIFICATIONS

CAT-5 Cable

- Category-5 cable for Geometrics Geode DZ seismic acquisition system
- Manufactured under approval of Geometrics, Inc.
- Water blocked cable with 4 analog pairs and 4 digital pairs.
- Outer Diameter 9.75 +/- 0.127 mm
- Jacket colour orange
- Water proof HGS-16 F end connectors
- Moulded water proof on board / pigtail takeouts (4 channels or 8 channels)
- Customer specified lengths available
- Maximum strength in rugged field conditions.
- Operating Temperature Range: -20°C to +70°C
- Waterproof up to 2 bar pressure

Version 1.1