



HGS (INDIA) LIMITED



Panel Mount 18 Pin Female LT Connector



158, Sector-4, IMT Manesar, Gurugram-122050 Haryana INDIA
Tel: +91 (0124) 4681800, Fax: +91 (0124) 4681845
Email: sales@hgsindia.com

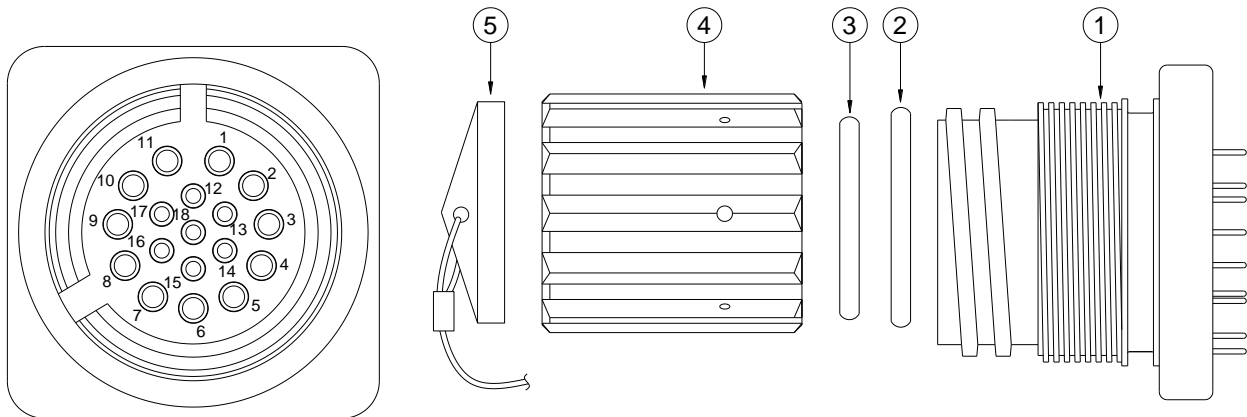


HGS (INDIA) LIMITED



SCHEMATIC

Panel Mount 18 Pin Female LT Connector



FACE VIEW

5	DUST CAP WITH WIRE ROPE & FERRULE	01 No.
4	PROTECTIVE CUP	01 No.
3	O-RING	01 No.
2	O-RING	01 No.
1	CONNECTOR PANEL MOUNT 18 SOCKET, MULTI KEY	01 No.
S. NO.	DESCRIPTION	QTY



HGS (INDIA) LIMITED



SPECIFICATIONS

Panel mount 18 Pin Female LT Connector

- 18 Pin female connector (multi-key) for ION's XLUs (for LT port).
- Female connector with thread assures mating with its counterpart's coupling ring.
- Gold plated contacts to assure good electrical connection.
- Impact resistant material.
- Screw fit mating.
- Fitted with protection cap to avoid damage to its mating threads.
- Operating Temperature Range: -20°C to +70°C.
- Pressure Rating: Up to 3 bar.

Version 1.1