



HGS (INDIA) LIMITED



Panel Mount 6 Pin Female Dynacon Connector



158, Sector-4, IMT Manesar, Gurugram-122050 Haryana INDIA
Tel: +91 (0124) 4681800, Fax: +91 (0124) 4681845
Email: sales@hgsindia.com

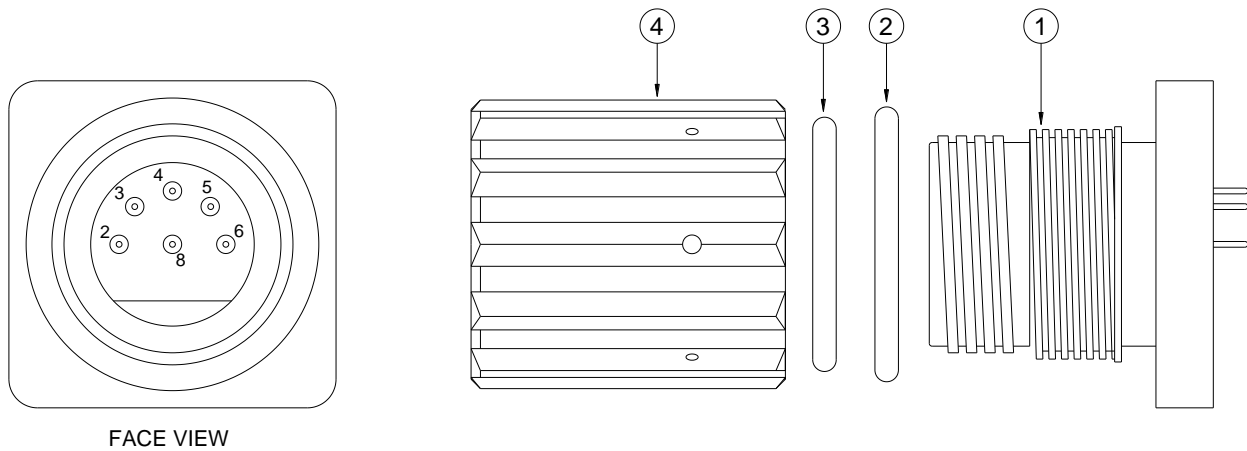


HGS (INDIA) LIMITED



SCHEMATIC

Panel Mount 6 Pin Female Dynacon Connector



4	PROTECTIVE CUP	01 No.
3	O-RING	01 No.
2	O-RING	01 No.
1	CONNECTOR PANEL MOUNT 6 PIN FEMALE	01 No.
S. NO.	DESCRIPTION	QTY



HGS (INDIA) LIMITED



SPECIFICATIONS

Panel Mount 6 Pin Female Dynacon Connector

- 6 Pin female connector for ION's BBUs and battery chargers.
- Female connector with thread assures mating with its counterpart's coupling ring.
- Gold plated contacts to assure good electrical connection.
- Impact resistant material.
- Screw fit mating.
- Fitted with protection cap to avoid damage to its mating threads.
- Operating Temperature Range: -20°C to +70°C.
- Pressure Rating: Up to 3 bar.

Version 1.1