



HGS (INDIA) LIMITED

HGS 1BP-Female Inline Land Connector

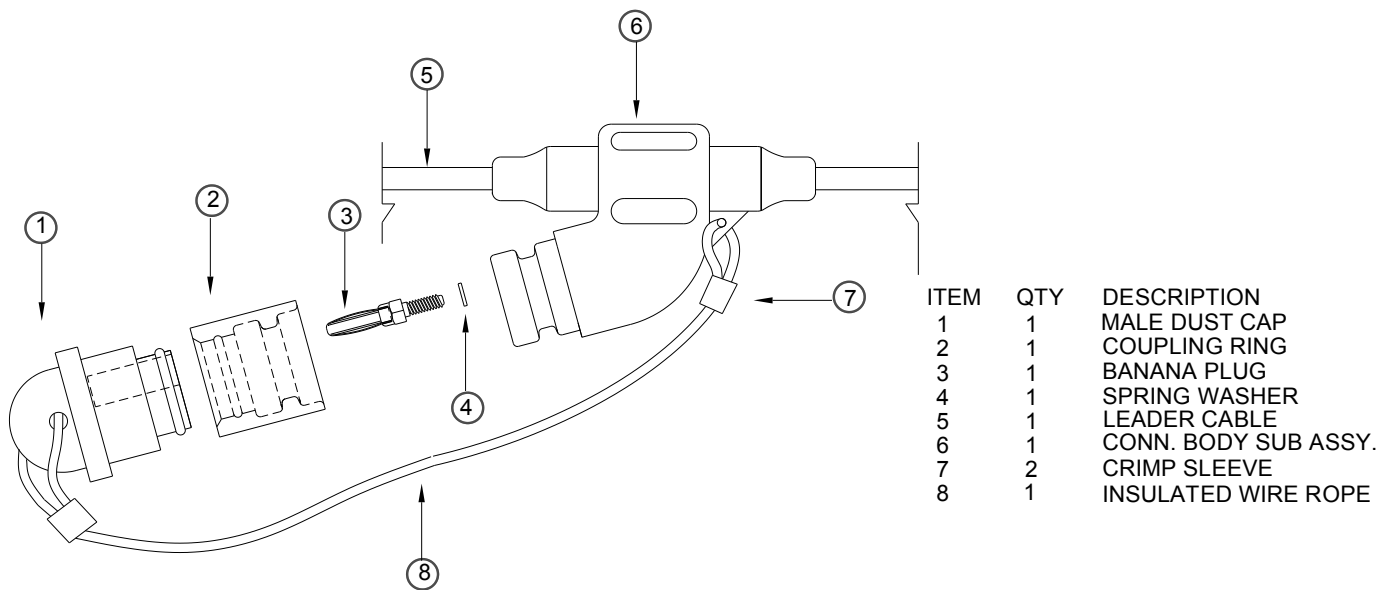


Plot No- 158, Sector- 4, IMT Manesar, Gurgaon, Haryana- 122050 (INDIA)
Tel: +91(0124) 4681800, Fax: +91(0124) 4681845
email:sales@hgsindia.com



HGS (INDIA) LIMITED

SCHEMATIC



HGS 1BP-Female Inline Land Connector

Plot No- 158, Sector- 4, IMT Manesar, Gurgaon, Haryana- 122050 (INDIA)
Tel: +91(0124) 4681800, Fax: +91(0124) 4681845
email:sales@hgsindia.com



HGS (INDIA) LIMITED

SPECIFICATIONS

HGS 1BP-Female Inline Land Connector

- Compatible with Kooter style connectors.
- Connector with 1 set of male (banana) & female contacts.
- Replaceable male contact version also available.
- Impact resistant material.
- Compatible with 4.57,5.33 or 6.35 cable
- Attached with male dust cap.
- Push-pull fit.
- Maximum strength in rugged field conditions.
- Arctic version also available.
- Specific configuration to customer specifications.
- Operating temperature range: -20°C to +70°C (Standard version)
-40°C to +70°C (Arctic version)
- Water resistant connector, IP Rating= IP67

Plot No- 158, Sector- 4, IMT Manesar, Gurgaon, Haryana- 122050 (INDIA)
Tel: +91(0124) 4681800, Fax: +91(0124) 4681845
email:sales@hgsindia.com