



# HGS (INDIA) LIMITED

## HGS 1BP-Male Inline Land Connector

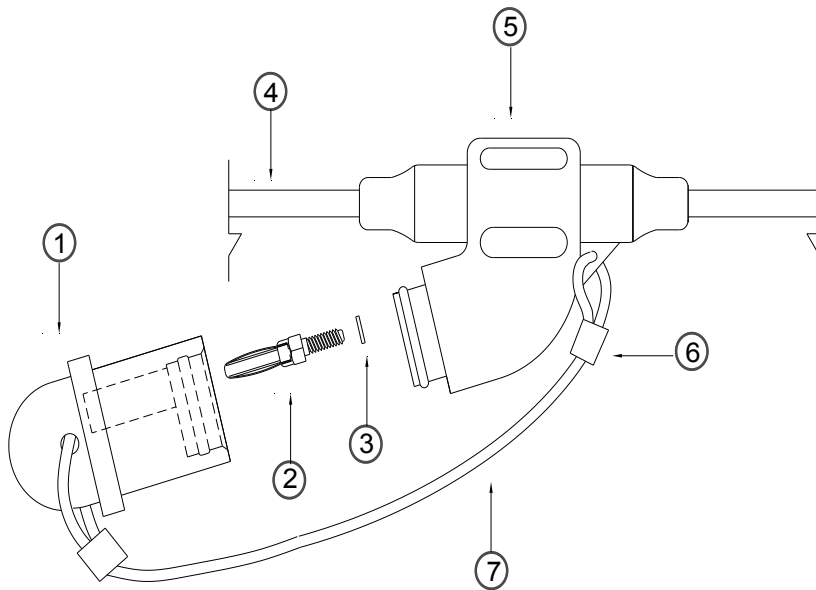


Plot No- 158, Sector- 4, IMT Manesar, Gurgaon, Haryana- 122050 (INDIA)  
Tel: +91(0124) 4681800, Fax: +91(0124) 4681845  
email:sales@hgsindia.com



# HGS (INDIA) LIMITED

## SCHEMATIC



ITEM	QTY	DESCRIPTION
1	1	FEMALE DUST CAP
2	1	BANANA PLUG
3	1	SPRING WASHER
4	1	LEADER CABLE
5	1	CONN. BODY SUB ASSY.
6	2	CRIMP SLEEVE
7	1	INSULATED WIRE ROPE

### HGS 1BP-Male Inline Land Connector

Plot No- 158, Sector- 4, IMT Manesar, Gurgaon, Haryana- 122050 (INDIA)  
Tel: +91(0124) 4681800, Fax: +91(0124) 4681845  
email:sales@hgsindia.com



# HGS (INDIA) LIMITED

## SPECIFICATIONS

### HGS 1BP-Male Inline Land Connector

- Compatible with Kooter style connectors.
- Connector with 1 set of male (banana) & female contacts.
- Replaceable male contact version also available
- Impact Resistant Material.
- Compatible with 4.57,5.33 or 6.35 cable
- Attached with female dust cap.
- Push-pull fit.
- Maximum strength in rugged field conditions.
- Arctic version also available.
- Specific configuration to customer specifications.
- Operating temperature range: -20°C to +70°C (Standard version)  
-40°C to +70°C (Arctic version)
- Water resistant connector, IP rating = IP67

Plot No- 158, Sector- 4, IMT Manesar, Gurgaon, Haryana- 122050 (INDIA)

Tel: +91(0124) 4681800, Fax: +91(0124) 4681845

email:sales@hgsindia.com