



# HGS (INDIA) LIMITED

## HGS-5517 screw fit connector array

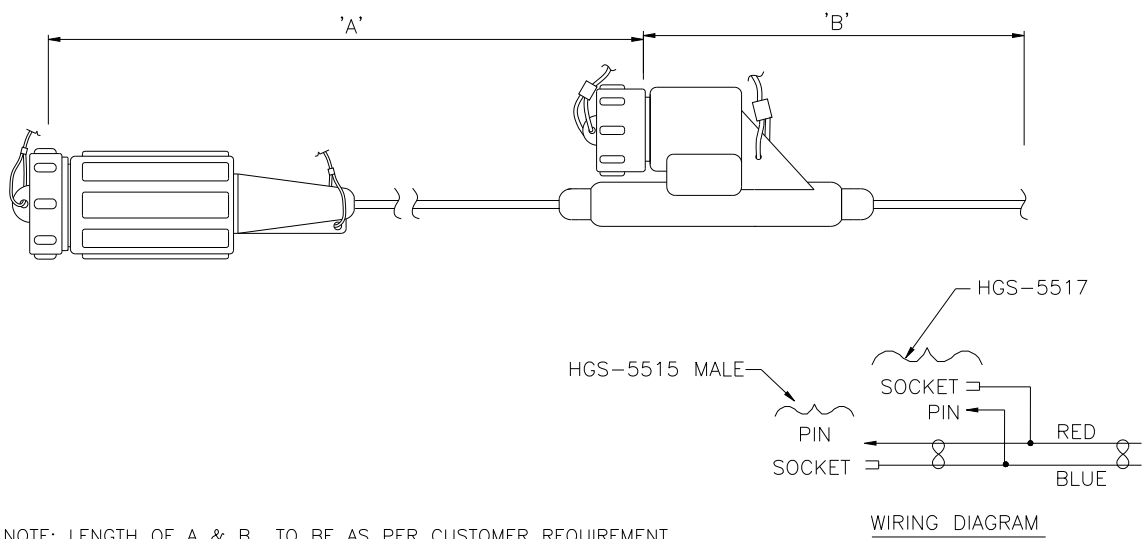


Plot No- 158, Sector- 4, IMT Manesar, Gurgaon, Haryana- 122050 (INDIA)  
Tel: +91(0124) 4681800, Fax: +91(0124) 4681845  
email:sales@hgsindia.com



# HGS (INDIA) LIMITED

## SCHEMATIC



## HGS-5517 Screw fit connector array

Plot No- 158, Sector- 4, IMT Manesar, Gurgaon, Haryana- 122050 (INDIA)  
Tel: +91(0124) 4681800, Fax: +91(0124) 4681845  
email:sales@hgsindia.com



# HGS (INDIA) LIMITED

## SPECIFICATIONS

### HGS-5517 Screw fit connector array

- Connector with 5515 male screw fit connector & 5517 female inline screw fit connector
- Impact Resistant Material.
- Moulded on 4.57, 5.33 or 6.35 mm cable
- Male end connector with coupling ring assures mating with its counterpart
- Water proof for marsh environment
- Gold plated pins & sockets assure positive electrical connections
- Maximum strength in rugged field condition
- Fitted with dust cap
- Operating Temperature Range: -20°C to +70°C
- Pressure Rating: Up to 5 bar

Plot No- 158, Sector- 4, IMT Manesar, Gurgaon, Haryana- 122050 (INDIA)

Tel: +91(0124) 4681800, Fax: +91(0124) 4681845

email:sales@hgsindia.com