

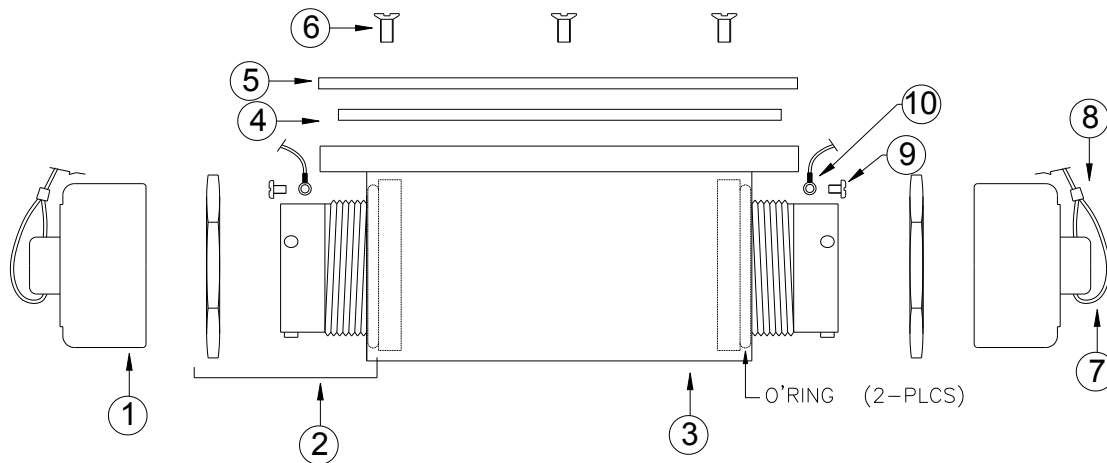


# HGS (INDIA) LIMITED



## HGS-61 Pin Male Back to Back Conn.

### SCHEMATIC



10	THIMBLE 1.5 MM <sup>2</sup> RING TONGUE	02 nos.
9	PAN HEAD SCREW, M3x5MM	02 nos.
8	CRIMP SLEEVE, OD-5.9MM x ID-3.15MM	02 nos.
7	INSULATED WIRE ROPE, DIA-1.5MM, 100 LBS	30 cm
6	BACKSHELL SCREW, CSK PHILIPS HEAD, #6-32x13MM, MDS-18 CONN.	06 nos.
5	BACK SHELL PLATE, 61 PIN M B2B CONN.	01 no.
4	RUBBER GASKET, MDS-18 CONN.	01 no.
3	BACK SHELL, 61 PIN M B2B CONN.	01 no.
2	61 PIN MALE CONN. WITH NUT & O-RING (OEN 851-07A-24 61 P50)	02 nos.
1	DUST CAP FOR 61 PIN MALE JAM NUT RECEPTACLE CONN.	02 nos.
SL. NO.	DESCRIPTION	QTY.

158, Sector-4, IMT Manesar, Gurgaon-122050 Haryana INDIA  
 Tel: +91 (0124) 4681800, Fax: +91 (0124) 4681845  
 Email: sales@hgsindia.com



# HGS (INDIA) LIMITED



## SPECIFICATIONS

### HGS-61 Pin Male Back to Back Conn.

- Back to Back male connector used to connect two cables with 61 pin female connectors
- Easily field repairable
- Metal body for increased strength and use in rugged field condition
- Fitted with dust caps
- Operating Temperature Range: -20°C to +70°C
- Pressure Rating: Up to 3 bar

158, Sector-4, IMT Manesar, Gurgaon-122050 Haryana INDIA  
Tel: +91 (0124) 4681800, Fax: +91 (0124) 4681845  
Email: [sales@hgsindia.com](mailto:sales@hgsindia.com)