

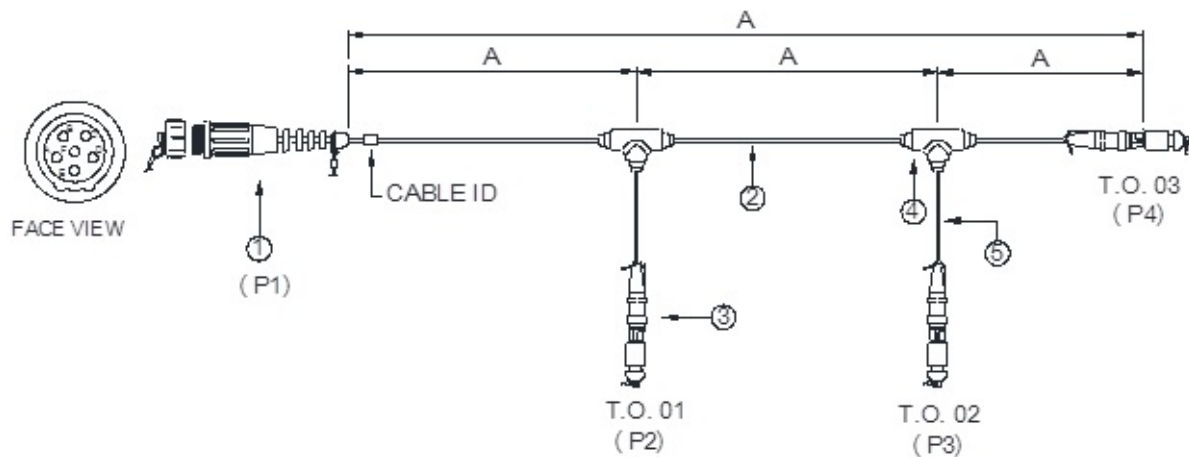


# HGS (INDIA) LIMITED



## TEST CABLE OF HGS 6 PIN F TO 5515M PF WITH 'T' SPLICE T.O.

### SCHEMATIC



|         |  |          |
|---------|--|----------|
| 5       | 2 CORE LEADER CABLE ( 5.33,TCW,19x0.16,UF) | as reqd. |
| 4       | MOLDED T-SPLICE                            | 02Nos.   |
| 3       | HGS-5515M PF CONN ASSY., BLUE              | 03Nos.   |
| 2       | 3 PAIR CABLE, ( 6.86,19X0.16,UF)           | as reqd. |
| 1       | HGS-VI-F OVERMOULD CONN. ASSY.             | 01No.    |
| SL. NO. | DESCRIPTION                                | QTY.     |

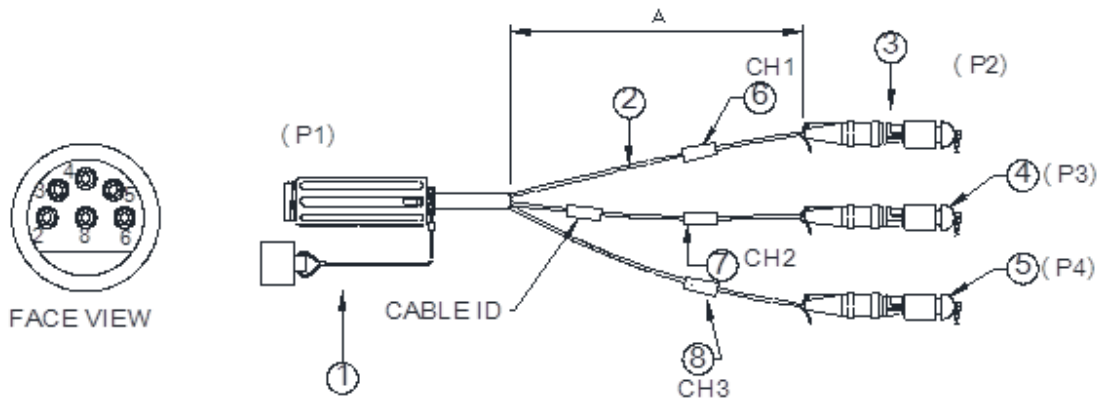


# HGS (INDIA) LIMITED



## TEST CABLE OF 6 PIN F DYN TO 5515M PF

### SCHEMATIC



|         |  |          |
|---------|--|----------|
| 8       | LABEL, BLUE (CH3)  | 01No.    |
| 7       | LABEL, YELLOW (CH2)  | 01No.    |
| 6       | LABEL, RED (CH1)   | 01No.    |
| 5       | HGS-5515M PF CONN ASSY., BLUE  | 01No.    |
| 4       | HGS-5515M PF CONN ASSY., YELLOW  | 01No.    |
| 3       | HGS-5515M PF CONN ASSY., RED   | 01No.    |
| 2       | 2 CORE LEADER CABLE (5.33,TCW,19x0.16,UF)  | as reqd. |
| 1       | 6 PIN F DYNACON BATTERY CONN., 3 entry kit,<br>4 Start threads (with Blue coupling ring) | 01No.    |
| SL. NO. | DESCRIPTION  | QTY.     |

158, Sector-4, IMT Manesar, Gurgaon-122050 Haryana INDIA  
 Tel: +91 (0124) 4681800, Fax: +91 (0124) 4681845  
 Email: sales@hgsindia.com



# HGS (INDIA) LIMITED



## SPECIFICATION

- Test cables of 6 pin F DYN TO 5515M PF and HGS 6 pin F TO 5515M PF with 'T' splice T.O.
- Gold plated pins ensure good electrical connections
- Impact resistant material
- Operating Temperature Range: 20°C to +70°C
- Pressure Rating: Up to 2 bar

158, Sector-4, IMT Manesar, Gurgaon-122050 Haryana INDIA  
Tel: +91 (0124) 4681800, Fax: +91 (0124) 4681845  
Email: sales@hgsindia.com