



# HGS (INDIA) LIMITED

Panel Mount 8 pin female dynacon connector



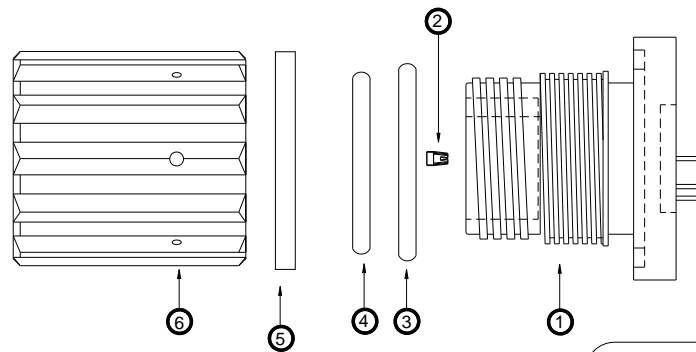
158, Sector-4, IMT Manesar, Gurgaon-122050 Haryana INDIA  
Tel: +91 (0124) 4681800, Fax: +91 (0124) 4681845  
Email: [sales@hgsindia.com](mailto:sales@hgsindia.com)



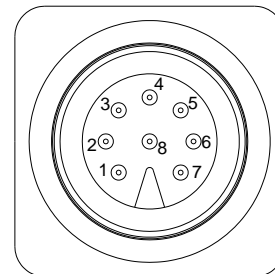
# HGS (INDIA) LIMITED

## SCHEMATIC

### CONNECTOR, PANEL MOUNT, 8 PIN FEMALE (DYNACON)



| SR. NO. | DESCRIPTION                    | QTY. |
|---------|--------------------------------|------|
| 1       | CONN, PANEL MOUNT 8 PIN FEMALE | 1    |
| 2       | MILL-MAX#13                    | 8    |
| 3       | O' RING                        | 1    |
| 4       | O' RING                        | 1    |
| 5       | WASHER                         | 1    |
| 6       | PROTECTIVE CUP                 | 1    |



FACE VIEW

## Panel Mount 8 pin female dynacon connector



# HGS (INDIA) LIMITED

## SPECIFICATION

### Panel Mount 8 pin female dynacon connector

- 8 Pin female connector for ION's DBUs
- Female connector with thread assures mating with its counterpart's coupling ring
- Gold plated contacts to assure good electrical connection
- Impact resistant material
- Screw fit mating
- Fitted with protection cap to avoid damage to its mating threads
- Operating Temperature Range: -20°C to +70°C
- Pressure Rating: Up to 3 bar