



HGS (INDIA) LIMITED

Panel mount 6 pin Female Dynacon Connector

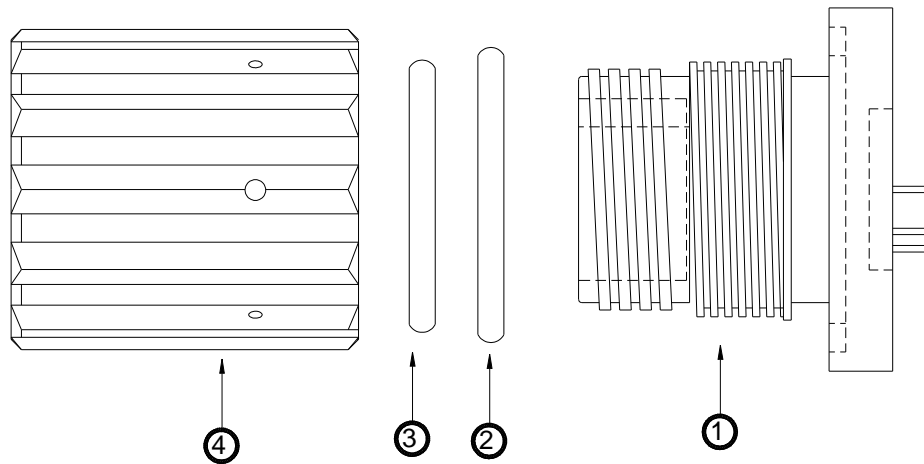


158, Sector-4, IMT Manesar, Gurgaon-122050 Haryana INDIA
Tel: +91 (0124) 4681800, Fax: +91 (0124) 4681845
Email: sales@hgsindia.com



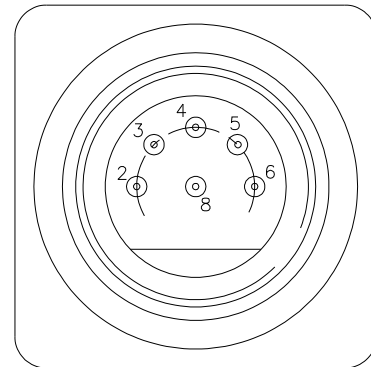
HGS (INDIA) LIMITED

SCHEMATIC



SR. NO.	DESCRIPTION
1	CONN, PANEL MOUNT 6 PIN FEMALE
2	O' RING
3	O' RING
4	COUPLING RING

QTY.
1
1
1
1



FACE VIEW

Panel mount 6 pin Female Dynacon Connector



HGS (INDIA) LIMITED

SPECIFICATIONS

Panel mount 6 pin Female Dynacon Connector

- 6 Pin female connector for ION's BBUs and battery chargers
- Female connector with thread assures mating with its counterpart's coupling ring
- Gold plated contacts to assure good electrical connection
- Impact resistant material
- Screw fit mating
- Fitted with protection cap to avoid damage to its mating threads
- Operating Temperature Range: -20°C to +70°C
- Pressure Rating: Up to 3 bar