



HGS (INDIA) LIMITED

Panel mount 18 pin Female LT Connector

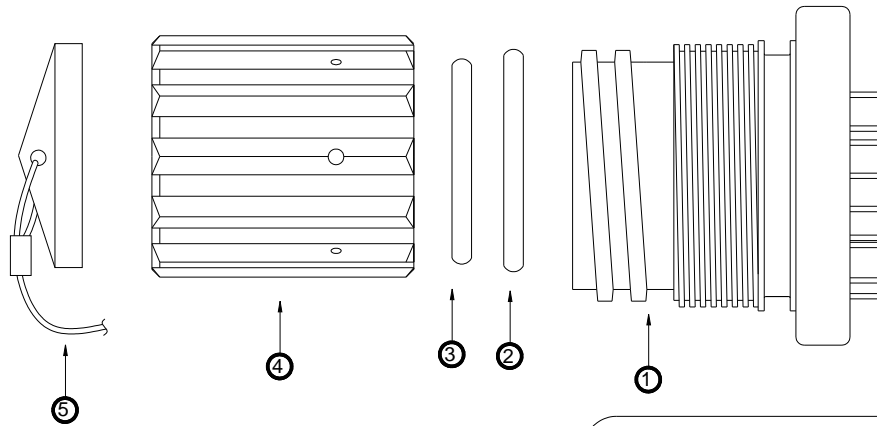


158, Sector-4, IMT Manesar, Gurgaon-122050 Haryana INDIA
Tel: +91 (0124) 4681800, Fax: +91 (0124) 4681845
Email: sales@hgsindia.com

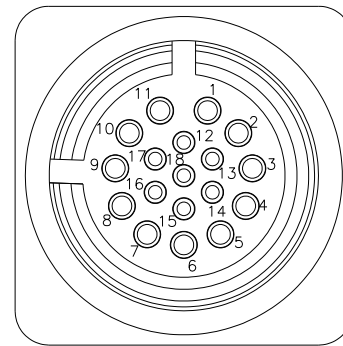


HGS (INDIA) LIMITED

SCHEMATIC



SR. NO.	DESCRIPTION	QTY.
1	CONN, PANEL MOUNT 18 SOCKET MULTI KEY	1
2	O' RING	1
3	O' RING	1
4	COUPLING RING	1
5	DUST CAP	1



FACE VIEW

Panel mount 18 pin Female LT Connector



HGS (INDIA) LIMITED

SPECIFICATIONS

Panel mount 18 pin Female LT Connector

- 18 Pin female connector (multi-key) for ION's XLUs (for LT port)
- Female connector with thread assures mating with its counterpart's coupling ring
- Gold plated contacts to assure good electrical connection
- Impact resistant material
- Screw fit mating
- Fitted with protection cap to avoid damage to it's mating threads
- Operating Temperature Range: -20°C to +70°C
- Pressure Rating: Up to 3 bar