



# HGS (INDIA) LIMITED

5515 Panel mount connector assy. for 428

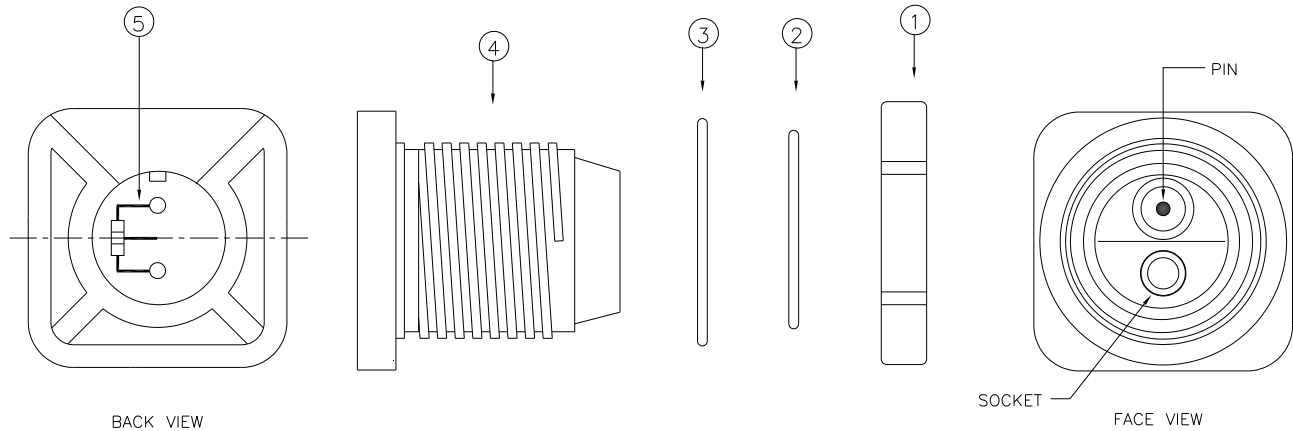


158, Sector-4, IMT Manesar, Gurgaon-122050 Haryana INDIA  
Tel: +91 (0124) 4681800, Fax: +91 (0124) 4681845  
Email: [sales@hgsindia.com](mailto:sales@hgsindia.com)



# HGS (INDIA) LIMITED

## SCHEMATIC



SR. NO.	DESCRIPTION	PART NO.	QTY.
1	NUT	CE0619	1
2	O' RING	CE0500	1
3	O' RING	CE0499	1
4	Conn. body sub assy. (408 Panel mount)	SJ0158	1
5	SURGE ARRESTER	CM0120	1

5515 Panel mount connector assy. for 428



# HGS (INDIA) LIMITED

## SPECIFICATION

### 5515 Panel mount connector assy. for 428

- Female connector with 1 set of male & female contacts
- Threads provided for mating with its counterpart male connector with coupling ring
- Impact Resistant Material
- Fitted with male dust cap
- Screw fit mating
- Maximum strength in rugged field conditions
- Gold plated pins & sockets assure positive electrical connections
- Operating Temperature Range: -20°C to +70°C
- Pressure Rating: Up to 3 bar