



HGS (INDIA) LIMITED

HGS RSR 8 Pin male over mould Connector



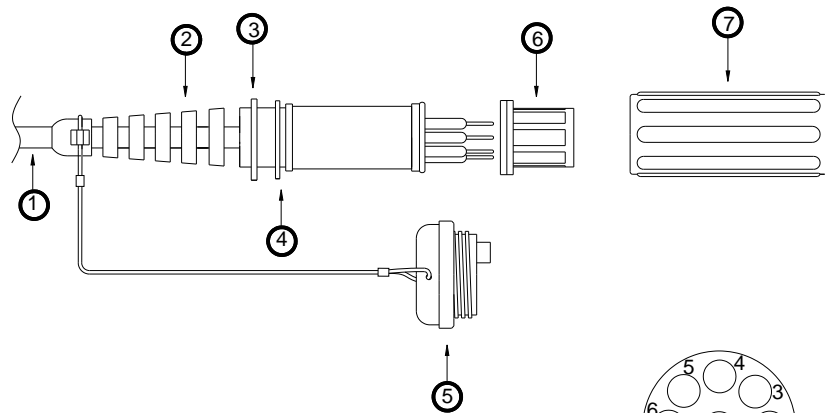
158, Sector-4, IMT Manesar, Gurgaon-122050 Haryana INDIA
Tel: +91 (0124) 4681800, Fax: +91 (0124) 4681845
Email: sales@hgsindia.com



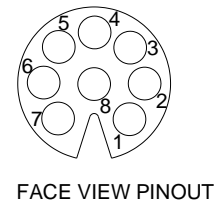
HGS (INDIA) LIMITED

SCHEMATIC

ASSY. OF RSR 8 PIN MALE OVERMOULD CONNECTOR



SR. NO.	DESCRIPTION	QTY.
1	CABLE	As Required
2	CONN. BODY SUB ASSY.	1
3	RETAINING RING	1
4	ANTIFRICTION WASHER	1
5	DUST CAP 8 PIN MALE with wire rope & Ferrule	1
6	8 PIN CONN. SEAL INSERT	1
7	COUPLING RING	1



HGS RSR 8 Pin male over mould connector



HGS (INDIA) LIMITED

SPECIFICATIONS

HGS RSR 8 Pin male over mould connector

- 8 Pin male cable connector for RSR-3 system.
- 8 Male gold plated contacts to assure electrical connection.
- High impact resistant material.
- Field Repairable.
- Fitted with dust cap.
- Stress wafer to avoid stress on solder joints.
- Operating Temperature Range: -20°C to $+70^{\circ}\text{C}$
- Pressure Rating: Up to 3 bar