



HGS (INDIA) LIMITED

HGS 18 MDS 16/18 cable connector

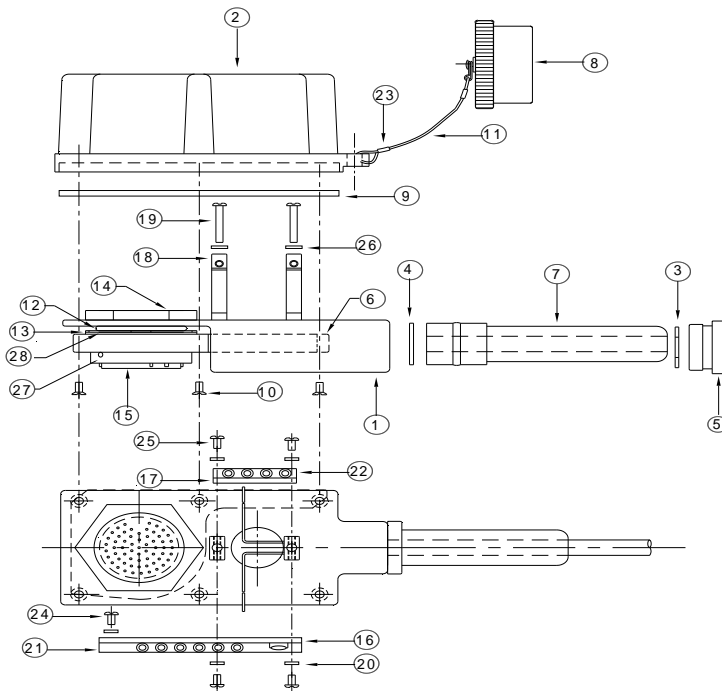


158, Sector-4, IMT Manesar, Gurgaon-122050 Haryana INDIA
Tel: +91 (0124) 4681800, Fax: +91 (0124) 4681845
Email: sales@hgsindia.com



HGS (INDIA) LIMITED

SCHEMATIC



SR. NO.	TITLE	QTY.
1	CONN. PLATE	1
2	COVER BACK SHELL SUB ASSY.	1
3	WASHER	1
4	WASHER BACKUP	1
5	NUT RETAINER	1
6	LEVER	1
7	CABLE BOOT	1
8	DUST CAP	1
9	RUBBER GASKET	1
10	BACK SHELL SCREW	6
11	INSULATED WIRE ROPE	1
12	O'RING	1
13	CIRCLIP	1
14	CONN. LOCK NUT	1
15	61 PIN CONN. INSERT	1
16	EARTH PLATE(BIG)	1
17	EARTH PLATE(SMALL)	1
18	STAND CABLE HEAD	2
19	CHEESE HEAD SCREW(M4X35MM)	2
20	STAR WASHER FOR M3 SCREW	5
21	PCB HGS/GEO/02	1
22	PCB HGS/GEO/03	1
23	FERRULE	2
24	CHEESE HEAD SCREW (M3X8MM)	1
25	CHEESE HEAD SCREW (M3X14MM)	4
26	SPRING WASHER FOR M4 SCREW	2
27	61 PIN CONN. COUPLING RING	1
28	DELTRIN WASHER	1

HGS 18 MDS 16/18 cable connector

158, Sector-4, IMT Manesar, Gurgaon-122050 Haryana INDIA
 Tel: +91 (0124) 4681800, Fax: +91 (0124) 4681845
 Email: sales@hgsindia.com



HGS (INDIA) LIMITED

SPECIFICATIONS

HGS 18 MDS 16/18 cable connector

- Imported connector insert
- Lightning arrestor electronics.
- Field Repairable and water proof.
- High impact resistant thermoplastic back shell.
- Cable Capacity: 7 to 10 mm OD.
- Maximum strength in rugged field condition.
- Fitted with dust cap.
- Option without electronics assembly also available.
- Operating Temperature Range: -20°C to +70°C
- Pressure Rating: Up to 3 bar