



# HGS (INDIA) LIMITED

## HGS-IV Dual Connector

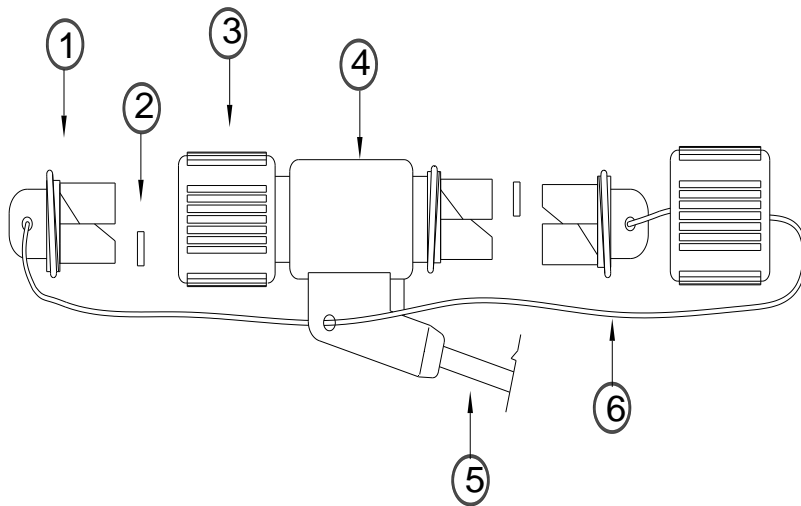


158, Sector-4, IMT Manesar, Gurgaon-122050 Haryana INDIA  
Tel: +91 (0124) 4681800, Fax: +91 (0124) 4681845  
Email: [sales@hgsindia.com](mailto:sales@hgsindia.com)



# HGS (INDIA) LIMITED

## SCHEMATIC



ITEM	QTY	DESCRIPTION
1	2	DUST CAP
2	2	D-WASHER
3	2	COUPLING NUT
4	1	CONN. BODY SUB ASSY.
5	1	LEADER CABLE
6	1	PARACHUTE CORD

### HGS-IV Dual Connector



# HGS (INDIA) LIMITED

## SPECIFICATIONS

### HGS-IV Dual Connector

- Replaces junction cases in geophone strings.
- Can be terminated to takeouts in cables as well as for paralleling arrangements.
- Robust leak proof moulded cable entry.
- Ordered with moulded lead-in to specified length.
- Threaded coupling ring assures its mating with its counterpart.
- Water proof for marsh environment.
- Maximum strength in rugged field condition.
- Fitted with two dust caps.
- Gold plated pins for reduced corrosion and less contact resistance.
- Impact modified polymers used in moulding to improve break strength of connector.
- Operating Temperature Range: -20°C to +70°C
- Pressure Rating: Up to 4.5 bar