



HGS (INDIA) LIMITED

HGS-5517 Push fit connector array

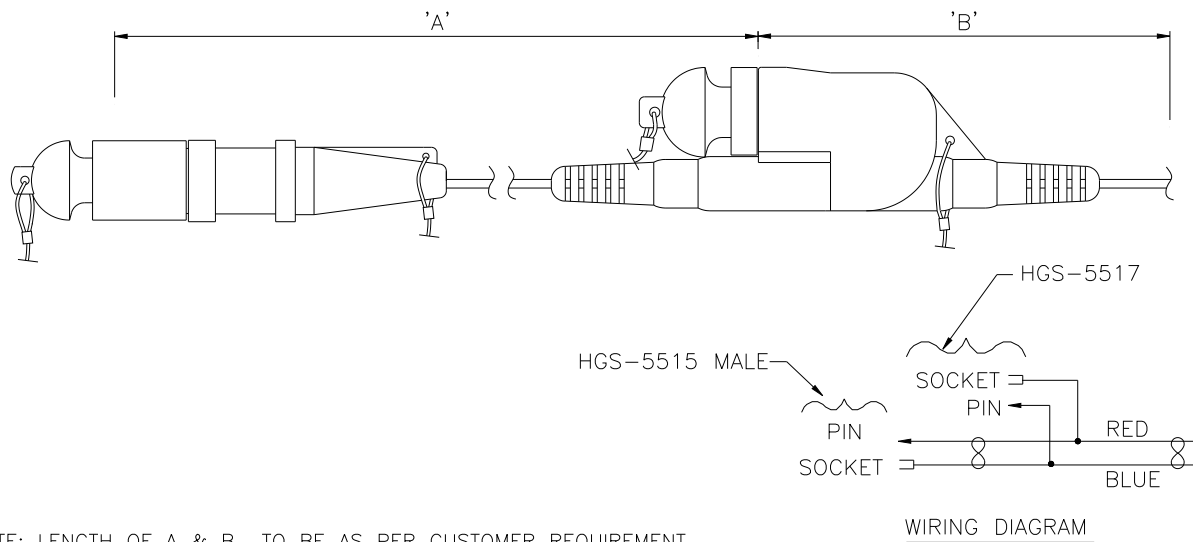


158, Sector-4, IMT Manesar, Gurgaon-122050 Haryana INDIA
Tel: +91 (0124) 4681800, Fax: +91 (0124) 4681845
Email: sales@hgsindia.com



HGS (INDIA) LIMITED

SCHEMATIC



NOTE: LENGTH OF A & B TO BE AS PER CUSTOMER REQUIREMENT

HGS-5517 Push fit connector array

158, Sector-4, IMT Manesar, Gurgaon-122050 Haryana INDIA
Tel: +91 (0124) 4681800, Fax: +91 (0124) 4681845
Email: sales@hgsindia.com



HGS (INDIA) LIMITED

SPECIFICATIONS

HGS-5517 Push fit connector array

- Connector with 5515 male push fit connector & 5517 female inline push fit connector
- Impact Resistant Material
- Moulded on 4.57, 5.33 or 6.35 mm cable
- Water proof for marsh environment
- Gold plated pins & sockets assure positive electrical connections
- Maximum strength in rugged field condition
- Fitted with dust cap
- Operating Temperature Range: -20°C to +70°C
- Pressure Rating: Up to 5 bar