



HGS (INDIA) LIMITED

HGS-12-3-S Connector

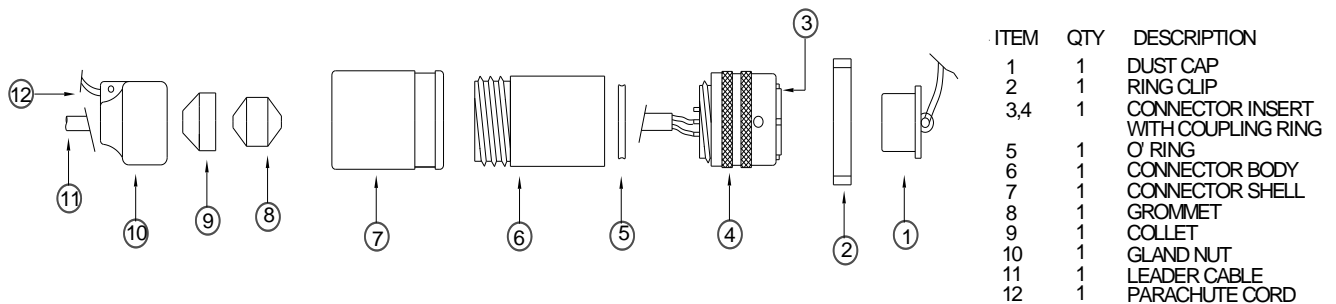


158, Sector-4, IMT Manesar, Gurgaon-122050 Haryana INDIA
Tel: +91 (0124) 4681800, Fax: +91 (0124) 4681845
Email: sales@hgsindia.com



HGS (INDIA) LIMITED

SCHEMATIC



HGS-12-3-S Connector

158, Sector-4, IMT Manesar, Gurgaon-122050 Haryana INDIA
Tel: +91 (0124) 4681800, Fax: +91 (0124) 4681845
Email: sales@hgsindia.com



HGS (INDIA) LIMITED

SPECIFICATIONS

HGS-12-3-S Connector

- 3 Socket connector.
- Fits SN388 SU telephone take-out.
- Souriau connectors insert.
- Size: 1.24 "Dia & 3.06 "Length.
- Cable Capacity : 4.57 / 5.33/6.35 mm
- Watertight construction makes it leak proof.
- Aluminum body.
- Fitted with dust cap.
- Operating Temperature Range: -20°C to +70°C
- Water resistant connector.